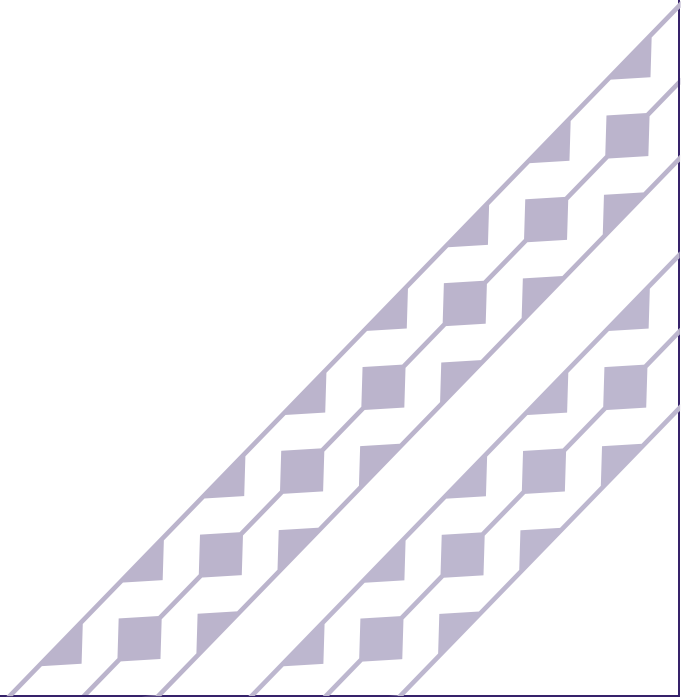
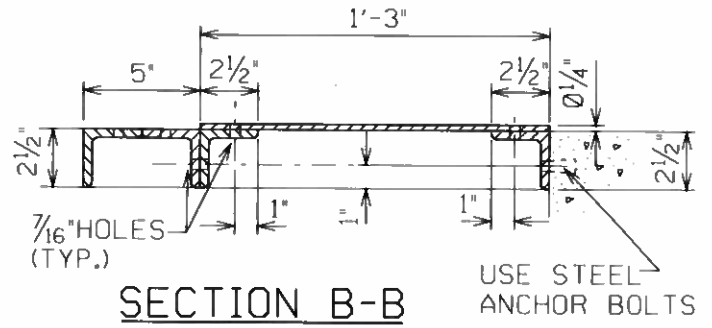
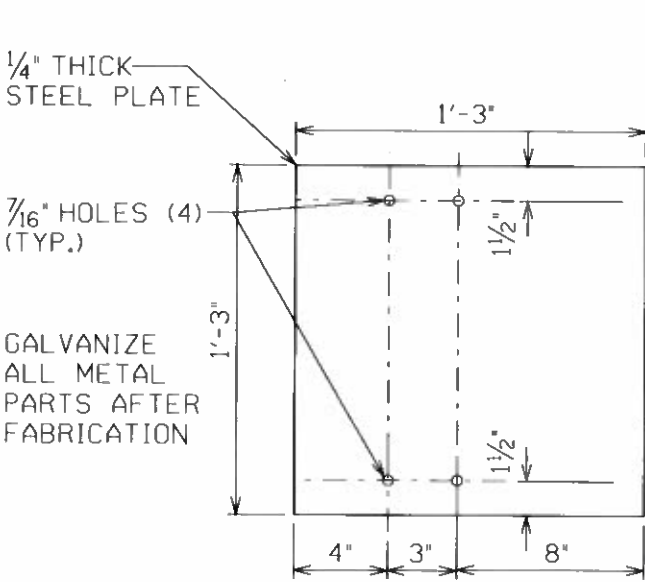
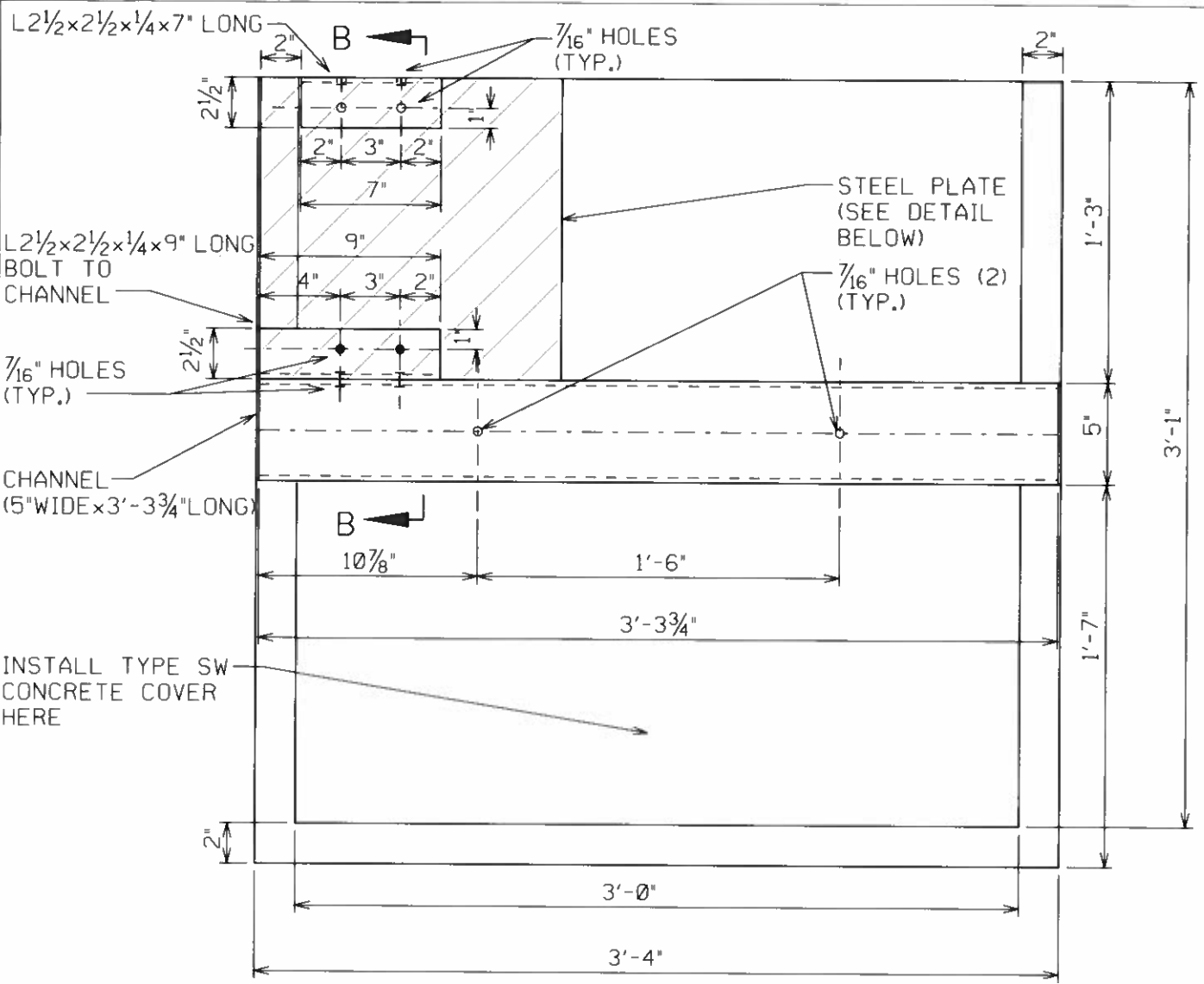


**Hawaiian
Electric**

The information found in this document are general guidelines that may be used to aid in the preparation of your service request proposal. Please be advised that depending on the specific needs and actual conditions of your project, Hawaiian Electric may require your design to comply with different specifications including specifications that include more stringent requirements than those included in these design specification guidelines. For further guidance and clarification on the actual specifications that will apply to your particular project, please refer to instructions issued by Hawaiian Electric's Planner or Engineer who is assigned to your particular (Project/Review Request/...). Additionally, please be advised that Hawaiian Electric reserves the right to require additional modifications to any approved design if it is determined during actual construction that additional modifications must be made to address certain field conditions that were not detected or Hawaiian Electric was unaware of during the design review process.





INSTALL TYPE SW CONCRETE COVER.
 INSTALL METAL SUPPORT UNDER TRANSFORMER SILL. ADJUST PLACEMENT OF TRANSFORMER.
 PLACE METAL PLATE ON ANGLE IRONS AS SHOWN.
 FIELD DRILL HOLES (7/16") IN PLATE, IF NECESSARY BOLT PLATE TO ANGLE IRONS.

DATE	INITIAL	REVISION	DRAWN AP	DESIGNED HHsm	APPD HHsm	REDRAWN
					W. Jayarama	ORIGINAL 07-2018
SUPERSEDES			CONCRETE BOX PAD FOR LARGE 3-PH TSFS METAL PLATE, ANGLE IRON, CHANNEL DETAIL UG DUCTS & STRUCTURES			REV 0
ENGINEERING STANDARD HAWAIIAN ELECTRIC CO. INC.			SHEET 1 OF 1			

IP_PWP-dms04781\pst\305024_01.dgn
 cesokai
 05-JUL-2018 15:45